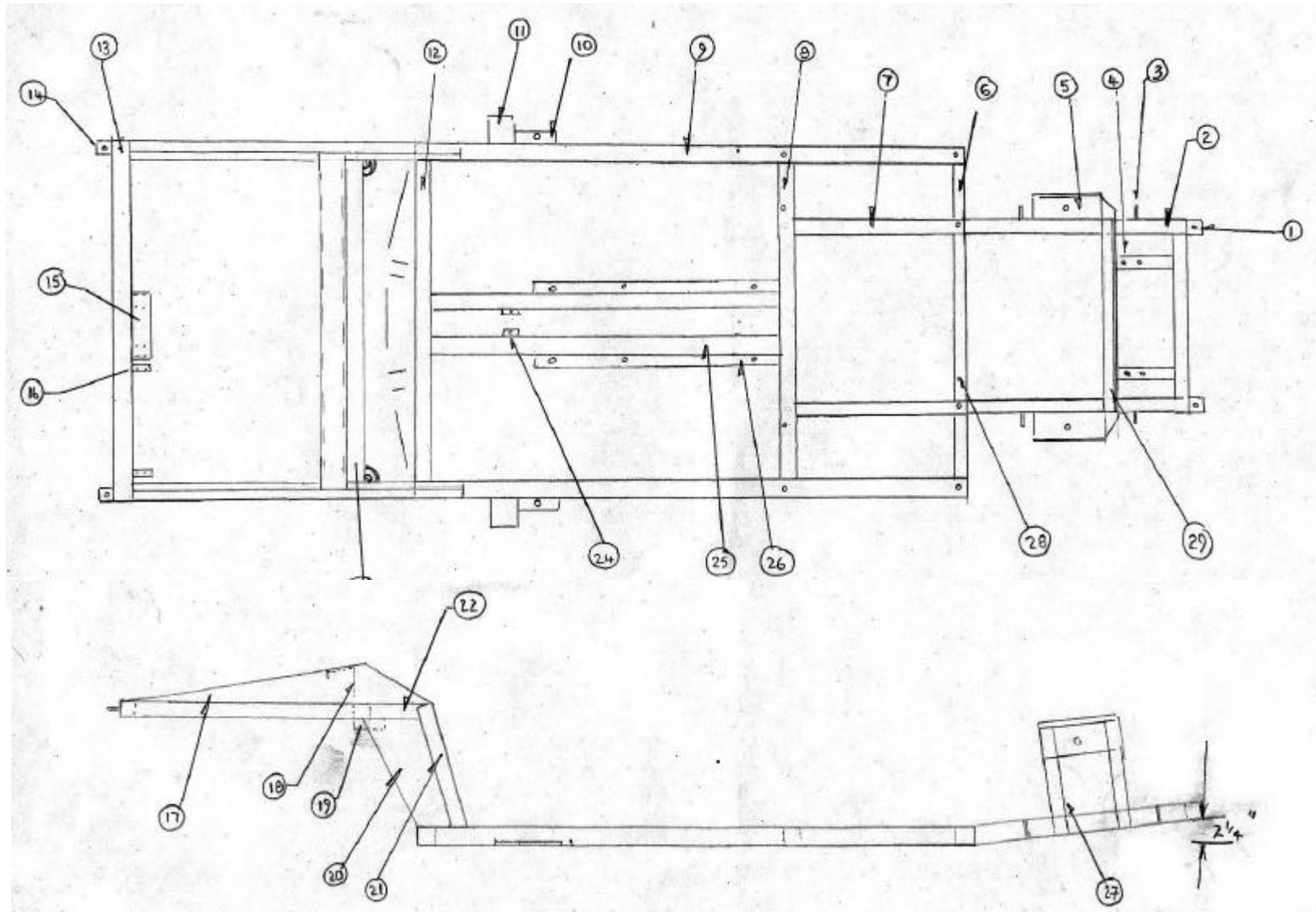


G15 Chassis



Later Factory Chassis with Fabricated Crossmember

